

# MT8070iH

Human Machine Interface  
with 7" TFT LCD display



## **Introduction**

MT8000 series is the new HMI generation of Weintek. With the design concept of meeting customers' satisfaction while easy-to-use attribute as before, a MT8000 not only performs as a Human Machine Interface but also plays as a role of data exchange center. Through the most popular Ethernet connection, data can be shared among MT8000s without limitation and any SCADA/HMI software on the PC can simply access data from MT8000s. MT8000 series is the best choice for your requirement tomorrow.

The MT8070iH is equipped with a USB 1.1 host, a USB 2.0 high speed device and SD card slot.

## **Specifications**

- **Construction:** plastic molding housing
- **Display:** 7" 65,536 color TFT LCD
- **CPU and core logic:** 32Bit RISC 400MHz processor
- **DRAM:** 64 MB DDR2 on board
- **Storage:** 128 MB flash memory on board,
- **I/O:** 3 serial ports: Com1: RS-232/RS-485 2w/4w,  
Com2: RS-232,  
Com3: RS-232/RS-485 2w  
1 Ethernet port (10/100Base-T)  
1 USB 1.1 host  
1 USB 2.0 high speed device
- **RTC:** Built-in
- **Power input:** 24±20%V<sub>DC</sub>, 250mA@24VDC
- **Dimension (W x H x D):** 200 x 146 x 42.5mm
- **Weight:** 0.85kg
- **Software:** EB8000 V2.0.0 or later

## **Features**

- 7" 800x480 TFT LCD
- Fan-less cooling system
- Built-in flash memory and RTC
- NEMA4/IP65 compliant front panel
- LED Back Light
- One USB Host and one USB client port
- SD card slot
- Power Isolator inside

## **LCD Display**

Display type	TFT LCD
Display size (diagonal)	7"
Max colors	65536
Resolution	800 x 480
Pixel pitch (HxV, mm)	0.1905 x 0.0635
Viewing angle (°)	70/50/70/70(T/B/R/L)
Luminance (cd/m <sup>2</sup> )	300
Backlight	LED
Backlight Life time	30,000 hrs.
Contrast ratio	500:1

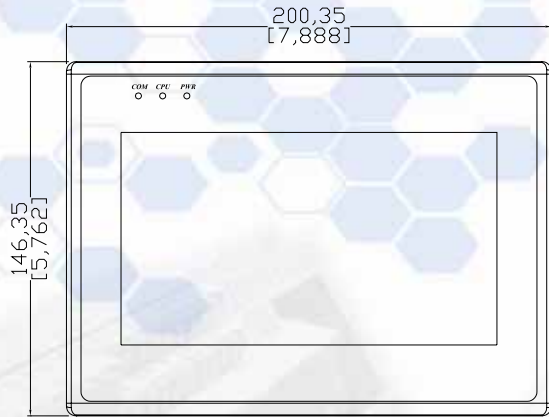
## **Touchscreen**

- **Type:** 4-wire, analog resistive
- **Resolution:** continuous
- **Light transmission:** above 80%
- **Life:** 1 million activation minimum

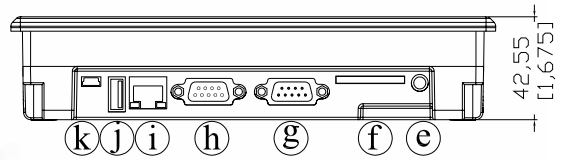
## **Environmental Specifications**

- **Operating temperature:** 0° ~ 45°C (32° ~ 113°F)
- **Relative humidity:** 10% ~ 90% @ 40°C, non-condensing
- **Shock (operation):** 10 to 25Hz(X,Y,Z direction 2G 30minutes)
- **EMI:** Complies with FCC class A
- **CE:** Complies with EN50081-2 and EN50082-2 standards
- **Front panel meets NEMA4 / IP65**

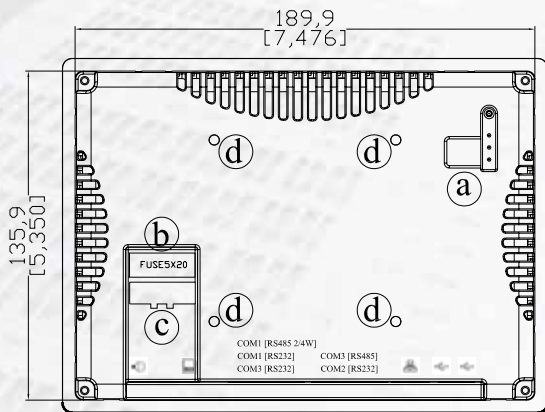
◆ **Dimensions Drawing**



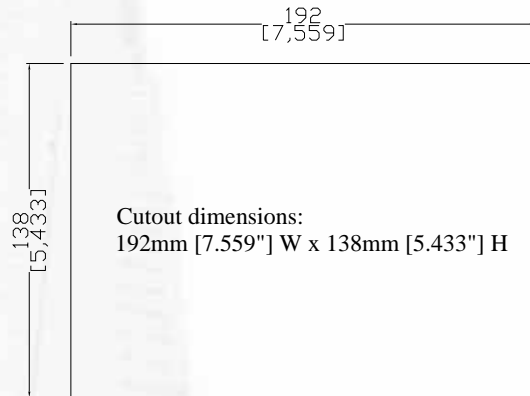
**Front View**



**Bottom View**



**Rear View**



a	DIP SW & Reset button	e	Audio
b	Fuse	f	SD card slot
c	Power connector	g	Com1 RS485, Com3 RS485, Com3 RS232
d	VESA 75mm screw holes	h	Com1 RS232, Com2 RS232
		i	Ethernet port (RJ-45)
		j	USB Host port
		k	USB Client port

**Ordering Information**

- ❑ **MT8070iH:**  
 7" 800x480 TFT LCD HMI, 128MB flash memory/64MB DDR2 RAM on board.
- ❑ **RZCMT6100:**  
 MT6000/8000 i series download cable / Mini USB to USB 2.0 100 cm