

PT-1561

15" Intel® Atom™ N270 Ultra Slim Panel PC



- Soldered Onboard Intel® Atom™ N270 1.6GHz CPU
- 15" 1024 x 768 XGA Color TFT LCD Display
- Super Slim and Compact Mechanical Design
- S.D.R. (Smart Data Recovery) Design
- Flush Front Panel For NEMA4/IP65 Compliance
- PC/104 Expansion Bus
- Compatible with OPC and SCADA Application Software
- Fanless Design
- Wide Range DC Input

System

CPU	Soldered onboard Intel® Atom™ N270 1.6GHz CPU
Memory	1 x 200-pin DDR2 SO-DIMM Socket up to 2GB at 400/533MHz Soldered onboard 512KB FRAM for S.D.R.

Chipset Intel® 945GSE + ICH7M

LAN 2 x Realtek RTL8111 Gigabit Ethernet controllers

Watchdog Timer Programmable as 250ms, 500ms, 1 second

Storage

HDD/Type 1 x 2.5" drive bay for SATA HDD/SSD

Flash Disk 1 x CompactFlash Type II Socket

LCD Display

Size/Type 15" TFT LCD

Max. Resolution 1024 x 768, XGA

Backlight Life 50,000 hours

Luminance 350 cd/m²

Max. Colors 262,144

Touch Screen

Type 8-wire, Analog resistive

Light Transparency Above 80%

Lifespan 10 million touches at single point

I/O

Serial Port 2 x RS-232 ports

2 x RS-422/485 ports

Parallel Port 1 x LPT

CAN-Bus Port 1 x CAN-Bus shared with RS-422/485 port (PT-1561 Only)

USB Port 2 x USB 2.0 (Host)

KB/MS 1 x PS2 Keyboard and Mouse

Expansion Bus 1 x PC/104

Power System

Connector One ME-050 3-pin DC jack for power adapter

Power Input DC 9 ~ 33V

Power Consumption 45W

Mechanical & Environmental

Operating Temp. 0 ~ 50°C (32 ~ 122°F)

Storage Temp. -20 ~ 60°C (-4 ~ 140°F)

Operating Humidity 10 ~ 95% RH @40°C (non-condensing)

Ingress Protection Front panel: NEMA4, IP65

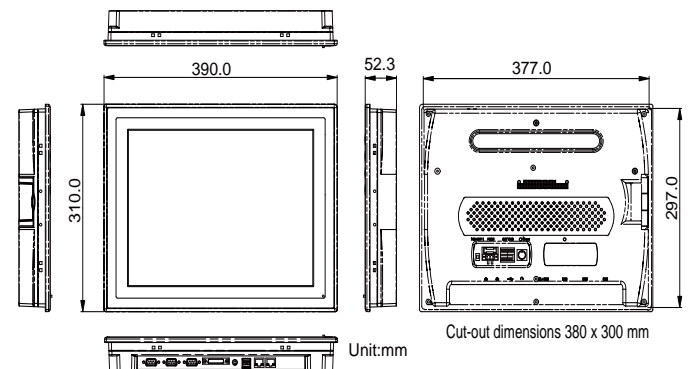
Vibration Protection 1 Grms (with CF or SSD)

Dimensions (W x D x H) 390 x 52.3 x 310 mm (15.35" x 2.06" x 12.2")

Weight (Net) 4.4 kg (9.7 lb)

Enclosure Aluminum (Front Panel), PC + ABS (Bezel)

Dimensions



Ordering Information

PT-1561-E	15" Intel® Atom™ N270 ultra slim fanless touch panel computer barebone
PT-1561	T1561-E with FRAM, Isolated COM, CAN-BUS, 1GB SDRAM
VMB-1560	PT-1560/PT-1561 VESA mount bracket kit
ARM-2439	VESA-75/100 desktop LCD monitor stand
PAC-P065W	65W AC/DC adapter kit